

TECEloop plastic toilet flush plate for dual-flush system

Article number: 9240926

Colour: Matt white
 Exhibition samples: —
 DU 1: 1 pc.
 DU 2: 10 pc.

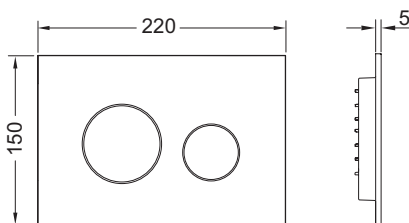
Description:

Flush plate for TECE cisterns, for front or top actuation. Very flat plastic flush plate, flush buttons with rubber inlays, including actuation rods and mounting materials. Suitable for flush-mounted installation in combination with toilet installation frame and spacing frame. Compatible with insert chute for cleaning tablets.

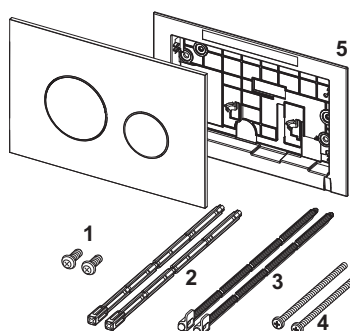
Dimensions (W x H x D): 220 x 150 x 5 mm

Sales data:

Product name: TECEloop toilet flush plate, plastic, for dual-flush system, matt white
 Commodity group: 904
 Product group: 2009040040



Spare parts:



- | | | |
|---|---------|------------------------------------------|
| 1 | 9820263 | Fastening screws (2003-2020) |
| 2 | 9820022 | Actuation rods (2003-2020) |
| 3 | 9820498 | “easy fit” actuation rods (from 2021) |
| 4 | 9820497 | “easy fit” attachment screws (from 2021) |
| 5 | 9820346 | Support frame |