

Logis

Single lever basin mixer for concealed installation wall-mounted with spout 19,5 cm

Finish: **Chrome** Article Number: **71220000**



Description

product features

- consists of: single lever basin mixer for concealed installation wall-mounted, waste set
- projection: 195 mm
- handle variant: lever handle
- spray type: normal spray
- maximum flow rate at 3 bar: 5 l/min
- ceramic cartridge
- temperature limitation adjustable
- suitable for continuous flow water heaters
- non-closing waste set
- material waste set: metal
- connection type: basic set
- connection dimension: DN15
- handle can be positioned on the right or left, depending on the basic set installation
- EU taxonomy: max. 6 l/min - Substantial Contribution (SC) possible

Technology



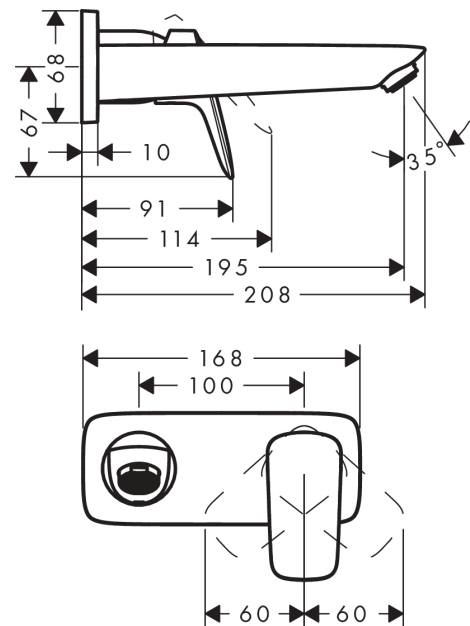
Certificates / Sustainability



Product image



Scale drawing



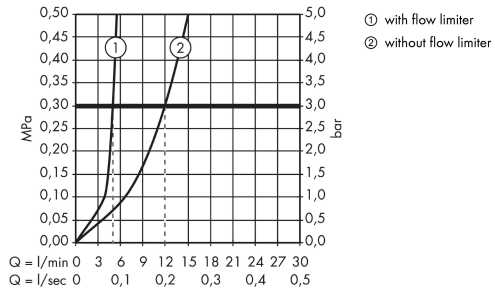
Logis

Single lever basin mixer for concealed installation wall-mounted with spout 19,5 cm

Finish: **Chrome** Article Number: **71220000**



Flowchart



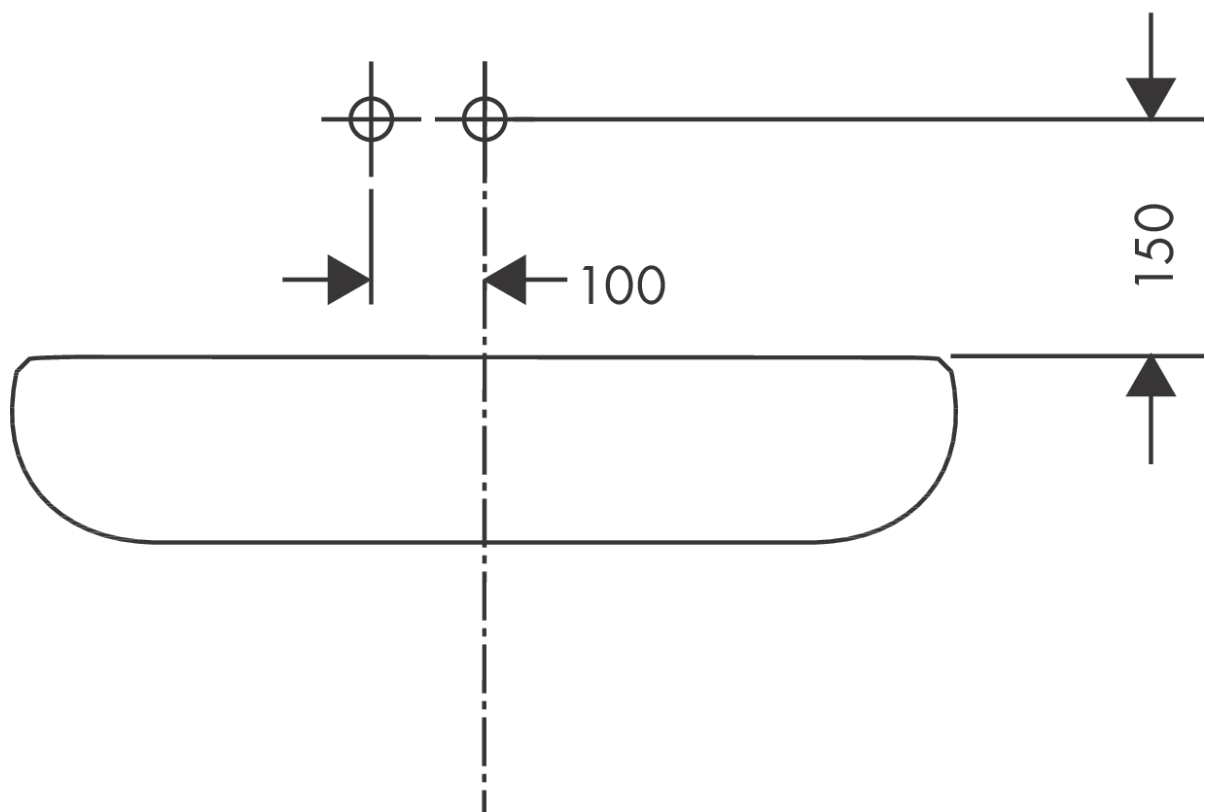
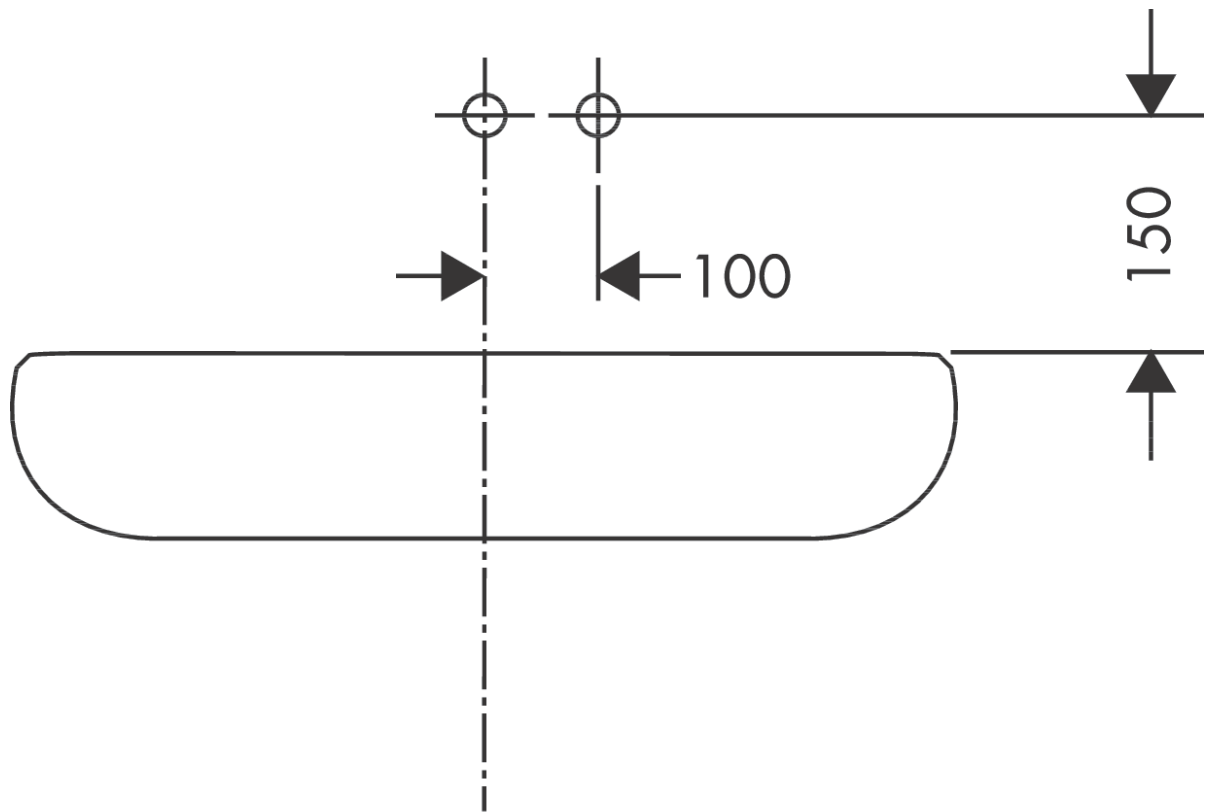
Logis

Single lever basin mixer for concealed installation wall-mounted with spout 19,5 cm

Finish: **Chrome** Article Number: **71220000**



Installation examples



Logis

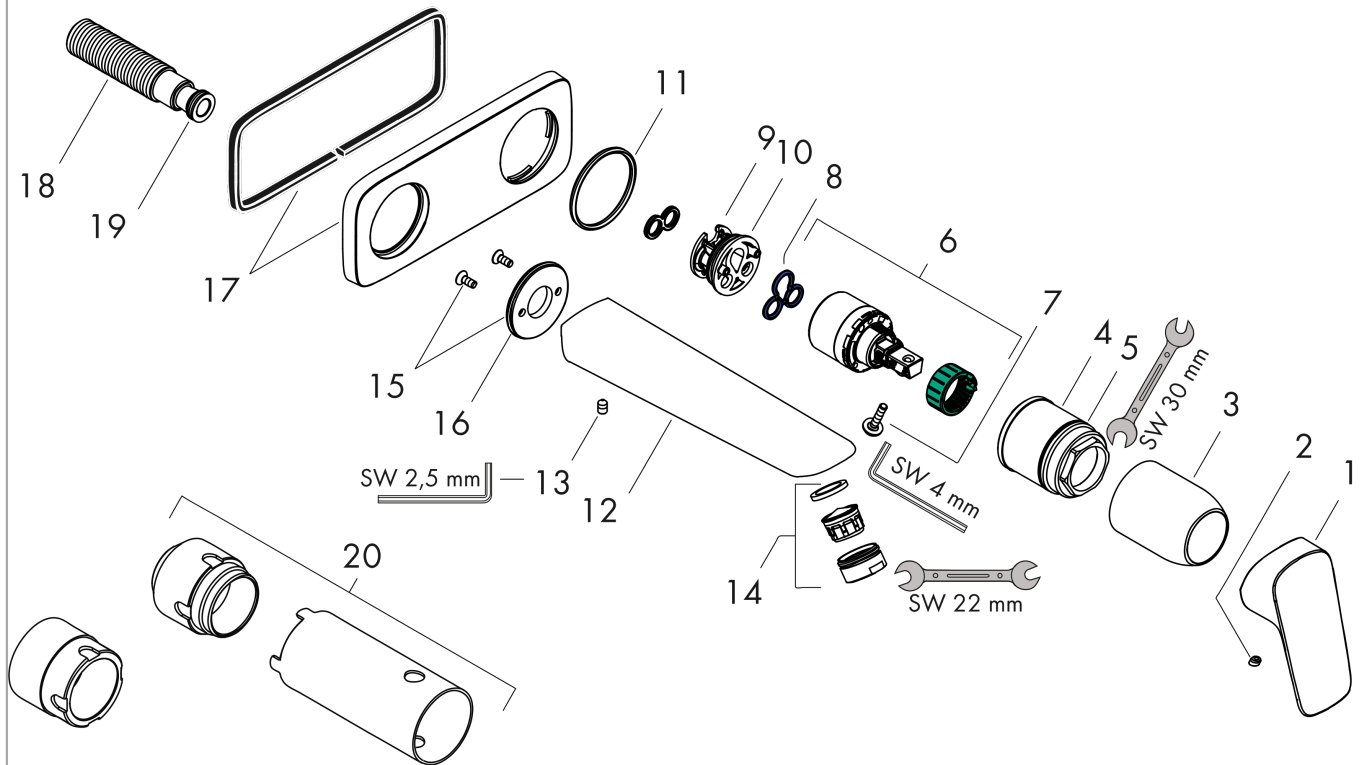
Single lever basin mixer for concealed installation wall-mounted with spout 19,5 cm

Finish: **Chrome** Article Number: **71220000**



Exploded Drawing

Year of production: >01/15



Logis
Single lever basin mixer for concealed installation wall-mounted with spout 19,5 cm

 Finish: **Chrome** Article Number: **71220000**

Spare part list

Year of production: >01/15

Pos.	Description	Article Number	PC	PU
1	handle	92224000	10	1
2	screw cover	96338000	1	1
3	sleeve	98790000	8	1
4	nut	95622000	9	1
5	O-ring 39x1,5	98400000	1	1
6	cartridge, assy	92730000	11	1
7	locking screw for handle	95140000	2	1
8	seal	95008000	3	1
9	adapter for cartridge	95779000	5	1
10	O-ring 26x2	98147000	1	1
11	O-ring 43x3	98418000	1	1
12	spout cpl.	92240000	14	1
13	hollow set screw M5x8	92851000	1	1
14	aerator M24x1 (5 l/min)	92372000	6	1
15	escutcheon	95642000	5	1
16	O-Ring 30x2	98186000	1	1
17	escutcheon	92239000	11	1
18	connecting thread G½	95626000	10	1
19	O-ring 13x2	98128000	1	1
20	extension set 25 mm for 13622180	31971000	99	1
a	waste	50001000	99	1
b	base body	13622180	99	1