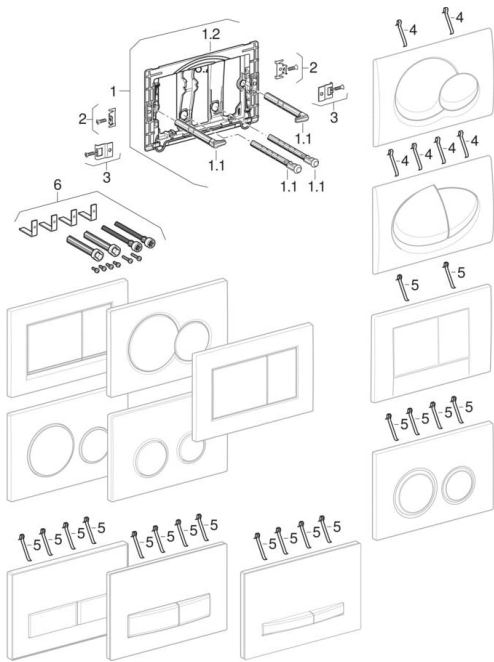


# Spare parts for: Actuator plates Sigma, Samba, Bolero, Twist, for dual flush 2000 -



## TYPE

Bolero, Samba, Sigma01, Sigma20, Sigma21, Sigma30, Sigma50, Twist

## CHARACTERISTICS

Year of manufacture from 2000  
 Dimensions / Design Actuator plate: 24.6 x 16.4 cm

## RELATED SPARE PARTS

- Overview actuator plates and cover plates for Sigma concealed cisterns
- Sigma concealed cisterns 12 cm (UP320)
- UP700 concealed cisterns
- Sigma concealed cisterns 12 cm (UP300)
- Sigma concealed cisterns 8 cm, front actuation (UP720)

## INFO

- Only the listed articles are available

#	Art. no.	Description	Replacement for	Remarks
1	241.873.00.1	Geberit conversion set for Danceline actuator plate	240.935.00.1, 241.875.00.1	
1.1	241.874.00.1	Geberit set of actuator rods for Sigma concealed cistern		From year of manufacture 2008

#	Art. no.	Description	Replacement for	Remarks
1.2	<b>241.876.00.1</b>	Geberit mounting frame for Sigma actuator plate		From year of manufacture 2008
2	<b>241.877.00.1</b>	Geberit fastening material for Sigma and Delta actuator plates		For mounting frame Sigma (from year of manufacture 2008)
3	<b>240.698.00.1</b>	Geberit fastening material for vandal-proof fastening for Twist actuator plate		
4	<b>813.514.00.1</b>	Geberit spring for actuator plate		
5	<b>241.295.00.1</b>	Geberit set of springs for actuator plate (10 pc.)		
6	<b>240.938.00.1</b>	Geberit extension set for Sigma, Omega and Kappa concealed cisterns		

**VALID FOR ARTICLES**

- 115.770.10.5      • 115.770.11.5      • 115.770.21.5      • 115.770.46.5      • 115.770.CG.5      • 115.770.DK.5      • 115.770.DT.5      • 115.770.DW.5      • 115.770.EP.5
- 115.770.FB.5      • 115.770.FR.5      • 115.770.GM.5      • 115.777.10.1      • 115.777.11.1      • 115.777.21.1      • 115.777.46.1      • 115.777.CG.1      • 115.777.DK.1
- 115.777.DT.1      • 115.777.DW.1      • 115.777.EP.1      • 115.777.FB.1      • 115.777.FR.1      • 115.777.GM.1      • 115.777.KB.1      • 115.778.KH.1      • 115.778.KJ.1
- 115.778.KK.1      • 115.778.KL.1      • 115.778.KM.1      • 115.778.KN.1      • 115.778.SN.1      • 115.780.21.1      • 115.780.46.1      • 115.781.SN.1      • 115.785.GH.1
- 115.788.00.1      • 115.788.11.1      • 115.788.DW.1      • 115.788.EP.1      • 115.788.GH.1      • 115.788.SC.1      • 115.788.SD.1      • 115.788.SE.1      • 115.882.14.1
- 115.883.14.1      • 115.882.JT.1      • 115.883.JT.1      • 115.788.00.5      • 115.788.11.5      • 115.788.DW.5      • 115.788.EP.5      • 115.788.GH.5      • 115.788.SC.5
- 115.788.SD.5      • 115.788.SE.5      • 115.788.SQ.5      • 115.770.KA.5      • 115.761.00.1      • 115.761.00.2      • 115.761.00.3      • 115.761.00.4      • 115.761.00.5
- 115.761.00.6      • 115.761.00.7      • 115.761.00.I      • 115.770.JQ.5      • 115.882.11.1      • 115.882.01.1      • 115.882.DW.1      • 115.882.16.1      • 115.883.11.1
- 115.883.01.1      • 115.883.DW.1      • 115.883.16.1      • 115.770.DK.1      • 115.770.DW.1      • 115.770.EP.1      • 115.770.FK.1      • 115.770.GM.1      • 115.770.11.1
- 115.770.21.1      • 115.770.46.1      • 115.884.JK.1      • 115.884.JL.1      • 115.788.JK.2      • 115.788.JL.2      • 115.883.KH.1      • 115.883.KJ.1      • 115.883.KK.1
- 115.883.KL.1      • 115.883.KM.1      • 115.883.KN.1      • 115.770.10.1      • 115.770.45.1      • 115.770.81.1      • 115.770.BM.1      • 115.770.BN.1      • 115.770.BP.1
- 115.770.BY.1      • 115.770.CG.1      • 115.770.CP.1      • 115.770.DP.1      • 115.770.DT.1      • 115.770.EL.1      • 115.770.ET.1      • 115.770.EU.1      • 115.770.FA.1
- 115.770.FB.1      • 115.770.FE.1      • 115.770.FL.1      • 115.770.FN.1      • 115.770.FQ.1      • 115.770.FR.1      • 115.770.GC.1      • 115.770.GE.1      • 115.770.KB.1
- 115.777.45.1      • 115.777.81.1      • 115.777.BM.1      • 115.777.BN.1      • 115.777.BP.1      • 115.777.CP.1      • 115.777.FA.1      • 115.777.FK.1      • 115.777.FL.1
- 115.777.FQ.1      • 115.780.00.1      • 115.780.11.1      • 115.780.45.1      • 115.780.DT.1      • 115.780.GM.1      • 115.780.HC.1      • 115.780.KA.1      • 115.782.21.1

- 115.782.46.1
- 115.788.21.5
- 115.660.11.1
- 115.788.11.2
- 115.883.JQ.1
- 115.882.KH.1
- 115.770.LA.5
- 115.660.21.1
- 115.788.21.2
- 115.882.JQ.1
- 115.882.KJ.1
- 115.770.LB.5
- 115.660.DW.1
- 115.788.DW.2
- 115.882.KK.1
- 115.670.QB.2
- 115.660.JQ.1
- 115.788.GH.2
- 115.882.KL.1
- 115.671.QD.2
- 115.884.SI.1
- 115.788.SD.2
- 115.882.KM.1
- 115.672.QF.2
- 115.884.SJ.1
- 115.788.SQ.2
- 115.882.KN.1
- 115.770.79.5
- 115.884.TG.1
- 115.788.TG.2
- 115.882.SN.1
- 115.770.FY.5
- 115.884.00.1
- 115.788.JM.2
- 115.889.SN.1
- 115.770.SX.5
- 115.884.JM.1
- 115.788.00.2